

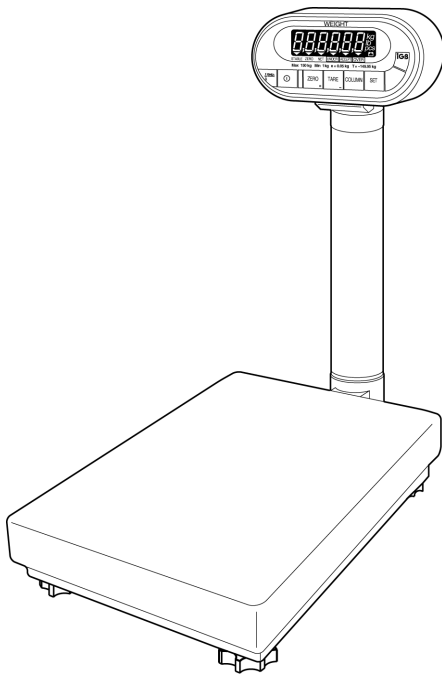


# IGB/IGX Series

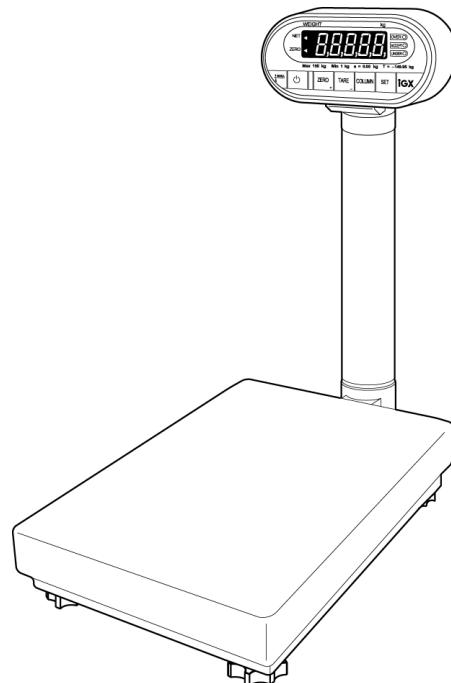
## (Overseas Specifications)

### Service Manual

The First Edition



IGB Series



IGX Series



#### Warning

- Read this manual thoroughly and do not perform installation, operation, maintenance, or inspection unless you fully understand all of the contents.
- Keep this manual in a safe place where you can refer to it easily while installing, operating, and carrying out maintenance or inspections.

This manual is for use by service personnel of our company or qualified to perform maintenance services for this machine. Use by anyone except the above personnel is not permitted.

# CONTENTS

<b>CHAPTER 1. PRODUCT OVERVIEW .....</b>	<b>3</b>
1.1 Machine Outline.....	3
1.2 Standard Specifications .....	3
1.3 Appearance .....	5
1.4 Display Unit .....	6
1.5 Outer Dimensions .....	7
<b>CHAPTER 2 TEST MODE.....</b>	<b>9</b>
2.1 Operation.....	9
2.1.1 Starting Each Mode .....	9
2.1.2 Ending Test Mode .....	9
2.1.3 Test Mode Flow .....	10
2.1.4 Key Functions.....	10
2.1.5 Mode List.....	11
2.2 C1 Mode (Country No., Scale No., Zero point, Span adjustment).....	12
2.2.1 Country No. Table.....	12
2.2.2 Scale No. Table .....	13
2.2.3 Operation Procedure .....	14
2.3 C2 Mode: Key Check.....	18
2.4 C3 Mode: Display Check 1 (Simplified Check) .....	18
2.5 C4 Mode: Display Check 2 (Detailed Check).....	19
2.6 C5 Mode: Program No Display .....	19
2.7 C6 Mode: RAM Clear and E2ROM Clear .....	20
2.8 C7 Mode: Weighing Condition Setting .....	21
2.9 C8 Mode: E2ROM Data Reading.....	24
2.10 C9 Mode: Board Inspection (A/D Check, I/F Check).....	26
<b>CHAPTER 3 HARDWARE CONFIGURATION .....</b>	<b>27</b>
3.1 Mechanical Parts .....	27
3.1.1 Load Cell .....	30
3.2 Electric Parts (IGB Series).....	31
3.2.1 IGB Block Diagram .....	31
3.2.2 Main Board (PS-018).....	32
3.2.3 Power Board (PS-019) .....	33
3.3 Electric Parts (IGX Series).....	34
3.3.1 IGX Block Diagram .....	34
3.3.2 Main Board (PS-016).....	35
<b>CHAPTER 4 MAINTENANCE.....</b>	<b>37</b>
4.1 Disassembly Procedure for Display Unit.....	37
4.2 Replacement of Main Board .....	38
4.2.1 IGB Series .....	38
4.2.2 IGX Series .....	39
4.3 Replacing and Adjusting Load Cell .....	41
4.3.1 Checking and Adjusting Gap of Four-corner Limit .....	42
4.3.2 Performing Zero Point and Span Adjustments .....	43
4.4 Troubleshooting.....	44

This is a “Table of Contents preview” for quality assurance

The full manual can be purchased from our store:

[https://the-checkout-tech.com/manuals/ishida/IGB-IGX service manual.html](https://the-checkout-tech.com/manuals/ishida/IGB-IGX%20service%20manual.html)

And our free Online Keysheet maker:

<https://the-checkout-tech.com/Cash-Register-Keysheet-Creator/>

[HTTPS://THE-CHECKOUT-TECH.COM](https://THE-CHECKOUT-TECH.COM)